



M4 Pro

# New Generation Intelligent Wheelchair

Self-balancing | Intelligent & Safe  
Dynamic Legrest | Full-wheelchair Adjustment



+86-760-28207258

support@xsto.com

www.xsto.com

· Building No.1, Cuiheng Technology Intelligent Hub, No.1 Heji Street, Cuiheng New District, Zhongshan City, Guangdong, China  
· Floor 15, No.1 Building, Beijing-Guangzhou Collaborative Innovation Center, Kaichuang Avenue, Huangpu District, Guangzhou, China

# Comprehensive Dynamic Seating System

## Seat Height and Tilt Angle Adjustment

One-touch control for adjusting seat height and tilt angle, enhancing comfort and reach range — ideal for daily living, social interactions, and work activities.



## Full-wheelchair Posture Adjustment

The seat supports multi-dimensional and flexible adjustments to meet diverse user needs, making it easier for users to get in/out and transport conveniently.

### Headrest

Adjustable angle and height for comfortable head support

### Backrest

Adjustable width and height, with a maximum reclining angle of 135°, for a customized comfortable sitting posture.

### Handle

Supports forward/backward, up/down, and side installation

### Widen Seat Base

Expandable to accommodate different body types

### Side support

Multi-angle deployment for enhanced anti-tip safety

### Armrest

60mm height adjustment, the open-close design allows the wheelchair easy to get in/out.

### Legrest and Footrest

Integrated design that adjusts synchronously with the seat, detachable/foldable for storage.



# Comprehensive Dynamic Seating System

## Self-balancing Comfortable Seat

Powered by a self-developed intelligent control system, the machine maintains automatic balance on slopes while the dynamic leg rest adjusts synchronously with the seat to ensure continuous comfort. It delivers strong climbing power with stable and safe stop-and-go performance on inclines.



## Comprehensive Safety Protection

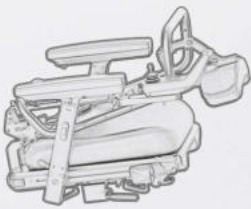
Equipped with the intelligent lighting system: its automatic turn signals provide clear directional alerts, while the flash light illuminates the road ahead for safer driving in complex environments or at night.



# Electric Folding and Detachable Design

## Modular Body

It can be detached quickly into four modules for easy transport-no tools required for effortless assembly and disassembly.



Seat



Front Wheel



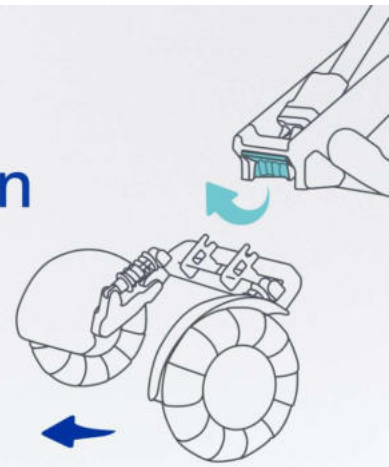
Chassis



Legrest with footrest

## Electric Folding and Unfolding

One-touch folding and unfolding of the entire wheelchair; the backrest can be folded to save space during storage.



## Omni-Directional Wheel Design

Featured all-direction obstacle-surmounting and lateral movement capabilities, it can flexibly handle complex road conditions and easily turn around in narrow spaces.

  
**825**mm  
Minimum Turning Radius



# Product Parameters

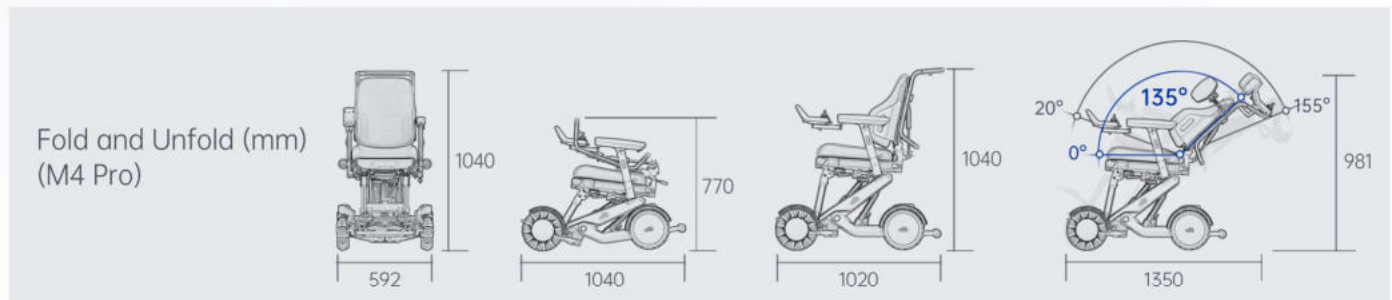
M4 Pro



M4



Maximum Load (kg)	150	150
Weight (kg)	60.1	51.2
Range (km)	26	15
Maximum Speed (km/h)	6	6
Maximum Slope ( ° )	15	15
Minimum Turning Radius (mm)	825	820
Obstacle Height (mm)	85 (Forward) / 50 (Backward)	50 (Forward) / 40 (Backward)
Pit Width (mm)	100	100
Seat-to-ground Height (mm)	450~730	347~650
Backrest	Width & Height Adjustable	Standard
Seat	Width & Depth Adjustable	Standard
Armrest Adjustment	Height and Depth	Height
Handle Adjustment	Left-right Quick Interchangeable + Multi-position Installation	Left-right Interchangeable
Legrest	Follow-up Adjustment	Manual Folding
Footrest	Integrated Foldable	Fixed
Size (mm)	1040*592*770 (Folded) 1020*592*1040 (Unfolded)	1040*580*570 (Folded) 1035*580*930 (Unfolded)



\* The above mentioned product functions and parameters are subject to the final delivery.